

LOW EAVE (GUTTER)

ED6010 - ON-SLOPE GUTTER - WALL PANEL

ED6040 - ON-SLOPE GUTTER - MASONRY WALL

ED6050 - ON-SLOPE GUTTER - SUPPORTING MASONRY WALL

ED6070 - ON-SLOPE GUTTER - NO WALL PANEL

ED6310 - HORIZONTAL GUTTER - WALL PANEL

ED6410 - HORIZONTAL GUTTER - MASONRY WALL

ED6610 - ON-SLOPE GUTTER - INSULATED WALL PANEL

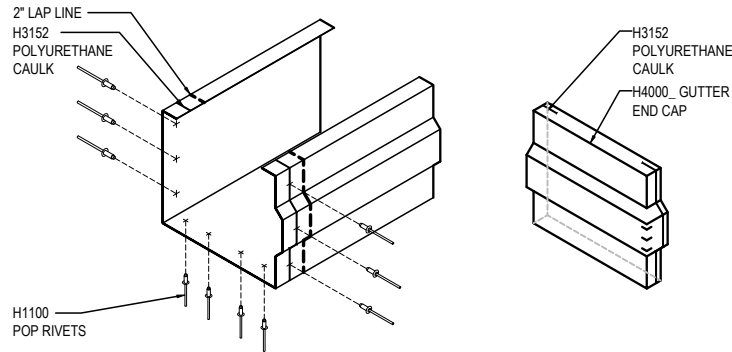
ED6620 - HORIZONTAL GUTTER - INSULATED WALL PANEL

ED6010 - ON-SLOPE GUTTER w/ WALL PANEL

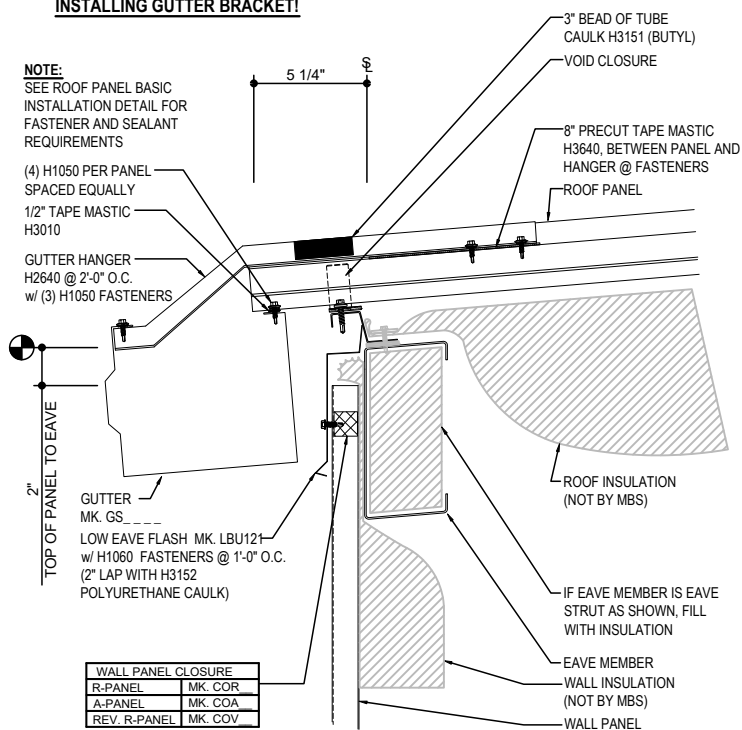
[Download the DWG file by clicking here.](#)

GUTTER LAP & END CAP

APPLY BEAD OF POLYURETHANE CAULK 1" FROM END OF TRIM AND LAP SECTIONS 2" AND FASTEN AS SHOWN. TO TERMINATE THE GUTTER APPLY POLYURETHANE CAULK TO THREE SIDES OF END CAP AND TOP RETURN AREA AS SHOWN AND INSERT 1/2" INTO END OF GUTTER. ATTACH WITH RIVETS SAME AS END LAP.



**NOTE 1: PANEL RIB MUST BE
HAND CRIMPED PRIOR TO
INSTALLING GUTTER BRACKET!**



ON-SLOPE GUTTER DETAIL

EAVE GUTTER DETAIL w/ WALL PANELS
SEE WALL SHEETING ERECTION NOTES FOR WALL PANEL FASTENER LOCATIONS

ED6010

Detailer Notes:

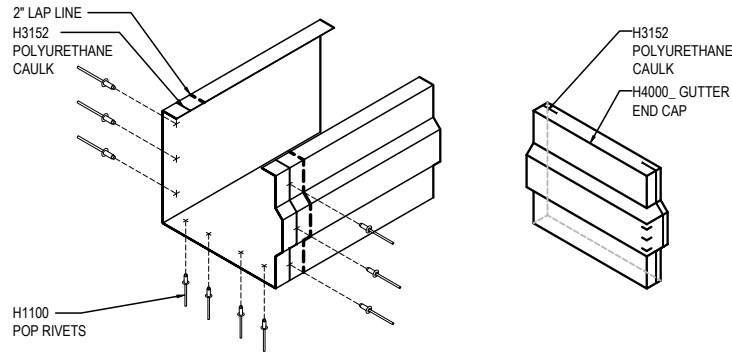
- 1) CLOSURES LOW EAVE LAYER DEFAULT IS ON. LAYER MUST BE TURNED OFF IF CLOSURES ARE NOT REQUIRED.
- 2) THIS STANDARD DETAIL IS APPROVED FOR MIAMI-DADE USE. ALTERATIONS TO THIS DETAIL MAY IMPACT APPROVAL.

ED6040 - ON-SLOPE GUTTER w/ MASONRY WALL

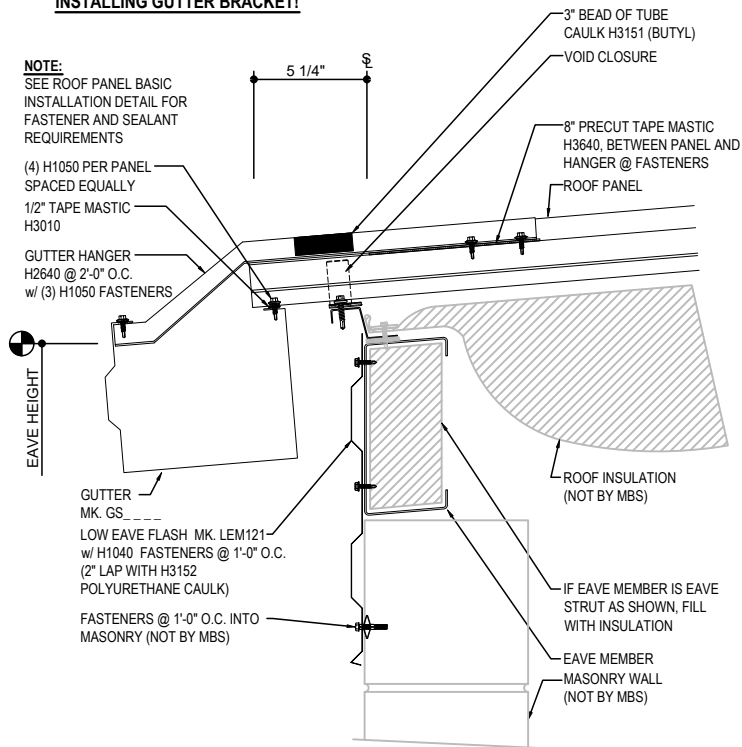
[Download the DWG file by clicking here.](#)

GUTTER LAP & END CAP

APPLY BEAD OF POLYURETHANE CAULK 1" FROM END OF TRIM AND LAP SECTIONS 2" AND FASTEN AS SHOWN. TO TERMINATE THE GUTTER APPLY POLYURETHANE CAULK TO THREE SIDES OF END CAP AND TOP RETURN AREA AS SHOWN AND INSERT 1/2" INTO THE GUTTER. ATTACH WITH RIVETS SAME AS END LAP.



NOTE 1: PANEL RIB MUST BE HAND CRIMPED PRIOR TO INSTALLING GUTTER BRACKET!



ON-SLOPE GUTTER DETAIL

EAVE GUTTER DETAIL w/ MASONRY WALL

ED6040

Detailer Notes:

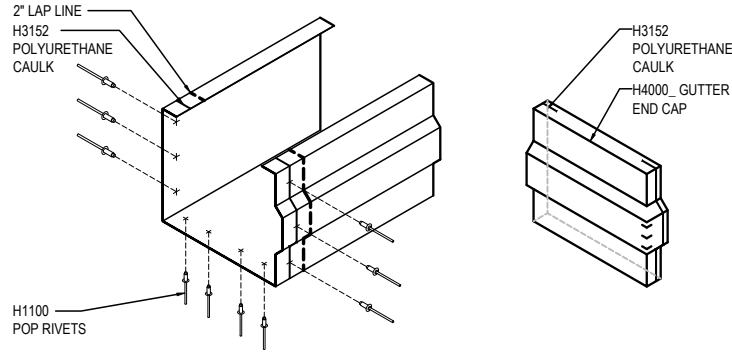
1) N/A

ED6050 - ON-SLOPE GUTTER w/ SUPPORTING MASONRY WALL

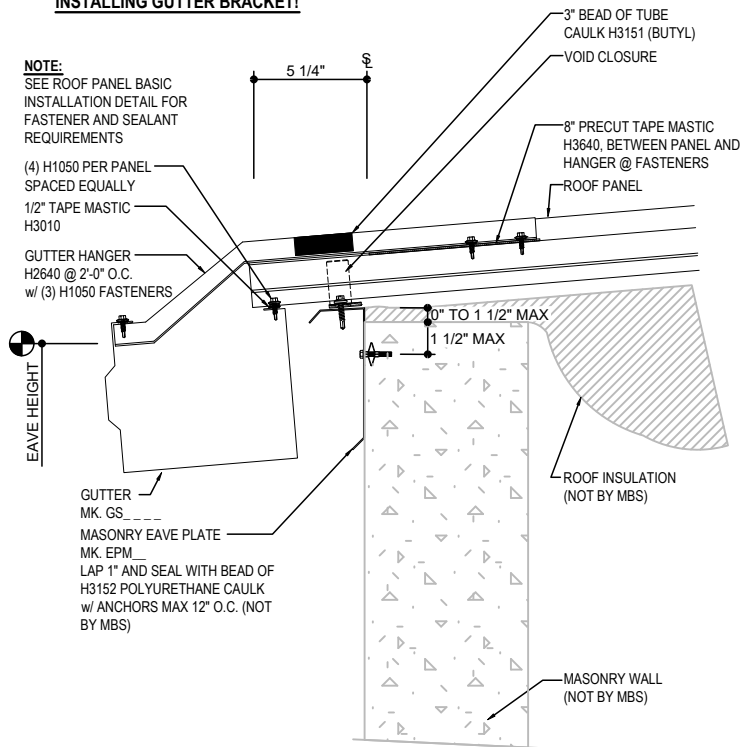
[Download the DWG file by clicking here.](#)

GUTTER LAP & END CAP

APPLY BEAD OF POLYURETHANE CAULK 1" FROM END OF TRIM AND LAP SECTIONS 2" AND FASTEN AS SHOWN. TO TERMINATE THE GUTTER APPLY POLYURETHANE CAULK TO THREE SIDES OF END CAP AND TOP RETURN AREA AS SHOWN AND INSERT 1/2" INTO THE GUTTER. ATTACH WITH RIVETS SAME AS END LAP.



NOTE 1: PANEL RIB MUST BE HAND CRIMPED PRIOR TO INSTALLING GUTTER BRACKET!



ON-SLOPE GUTTER DETAIL

EAVE GUTTER DETAIL w/ SUPPORTING MASONRY WALL

ED6050

Detailer Notes:

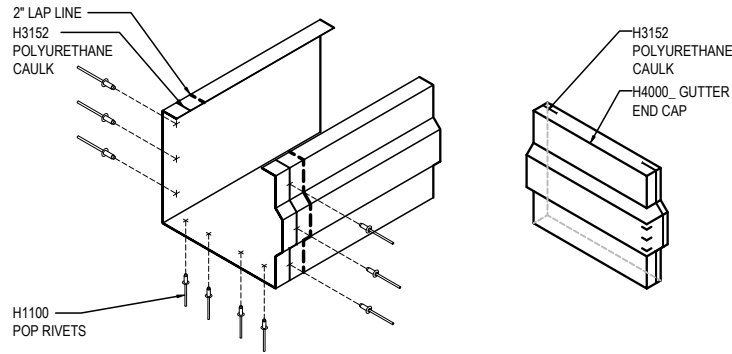
- 1) N/A

ED6070 - ON-SLOPE GUTTER w/ NO WALL PANEL

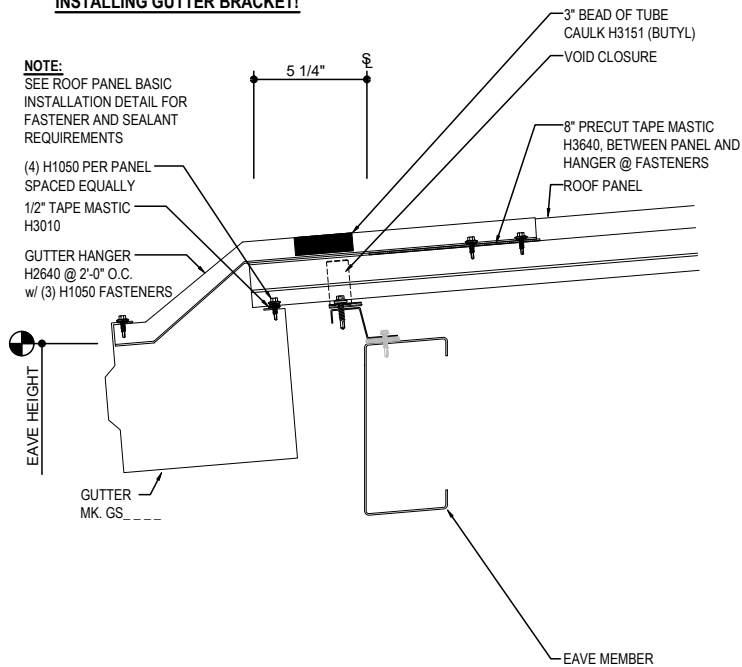
[Download the DWG file by clicking here.](#)

GUTTER LAP & END CAP

APPLY BEAD OF POLYURETHANE CAULK 1" FROM END OF TRIM AND LAP SECTIONS 2" AND FASTEN AS SHOWN. TO TERMINATE THE GUTTER APPLY POLYURETHANE CAULK TO THREE SIDES OF END CAP AND TOP RETURN AREA AS SHOWN AND INSERT 1/2" INTO THE GUTTER. ATTACH WITH RIVETS SAME AS END LAP.



NOTE 1: PANEL RIB MUST BE HAND CRIMPED PRIOR TO INSTALLING GUTTER BRACKET!



ON-SLOPE GUTTER DETAIL

EAVE GUTTER DETAIL w/ NO WALL PANEL

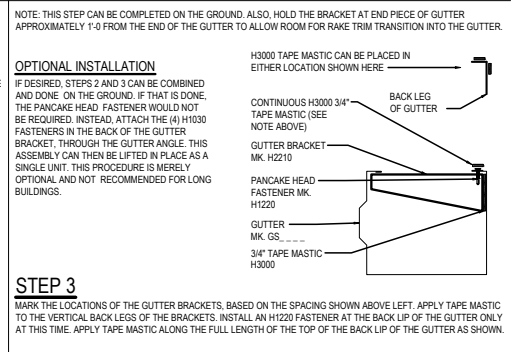
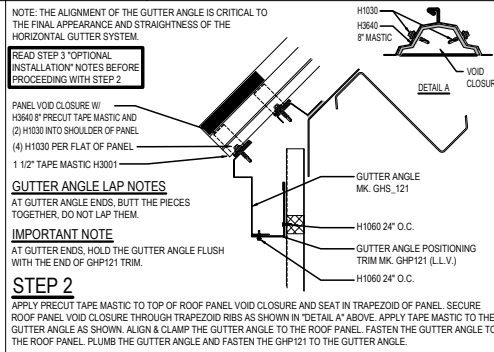
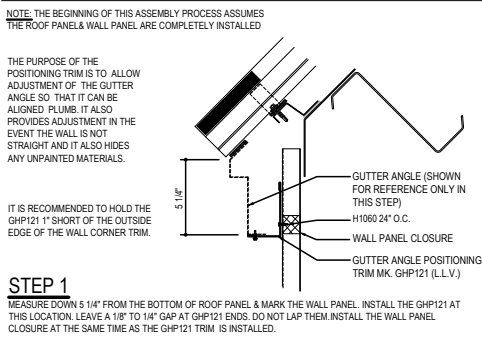
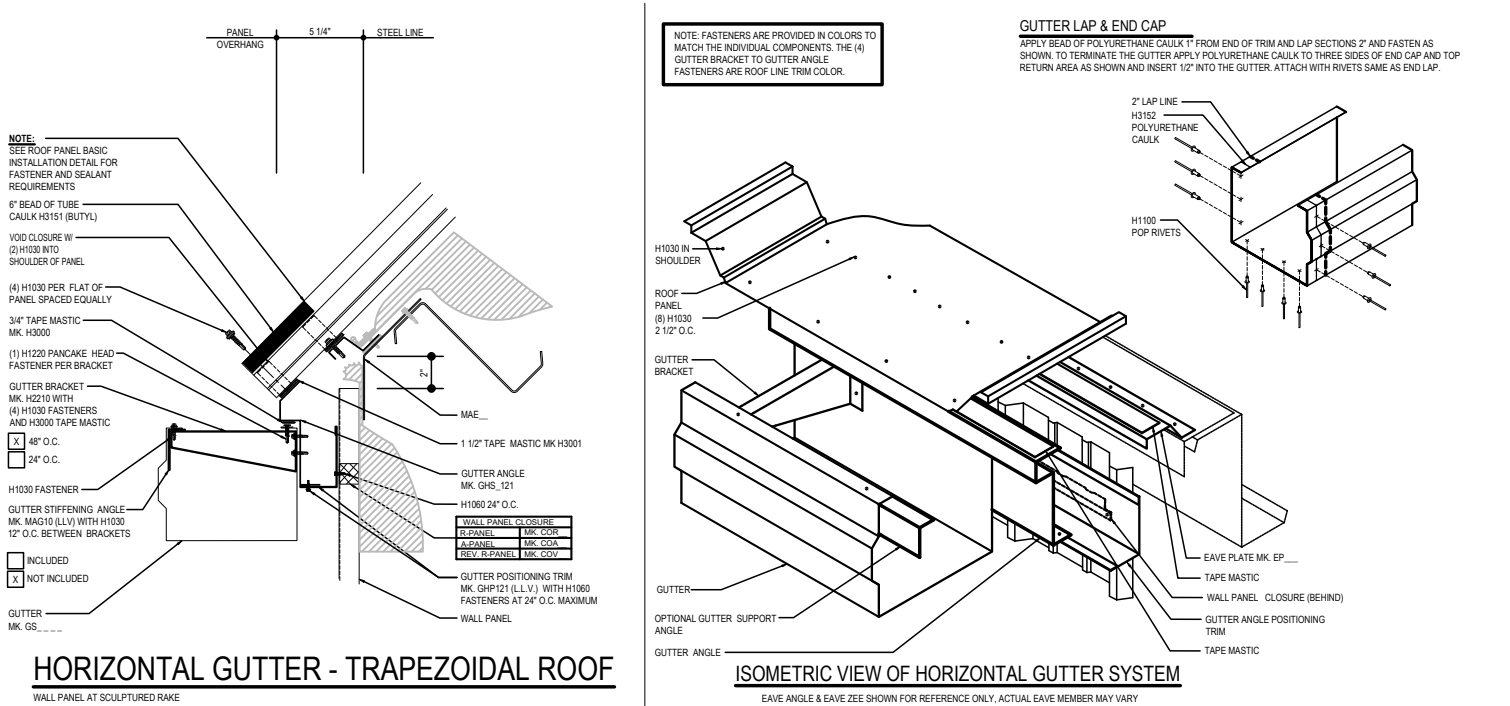
ED6070

Detailer Notes:

1) N/A

ED6310 - HORIZONTAL GUTTER w/ WALL PANEL

Download the DWG file by clicking [here](#).

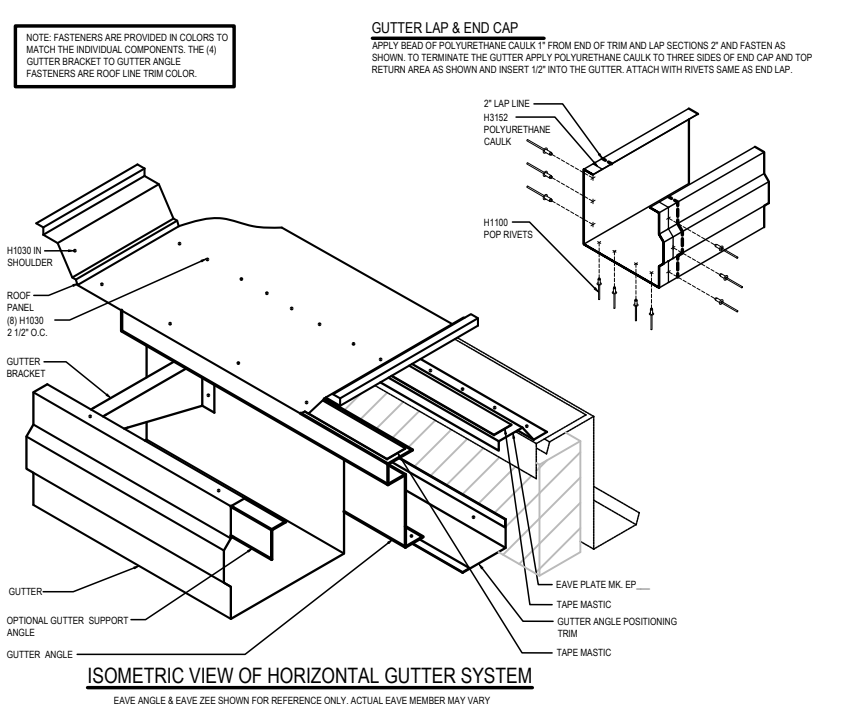
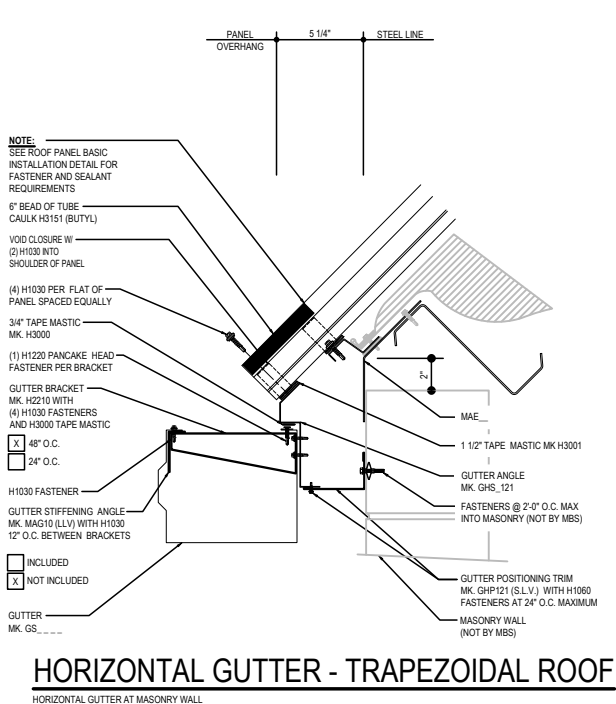


Detailer Notes:

- 1) CLOSURES LOW EAVE LAYER DEFAULT IS ON. LAYER MUST BE TURNED OFF IF CLOSURES ARE NOT REQUIRED.

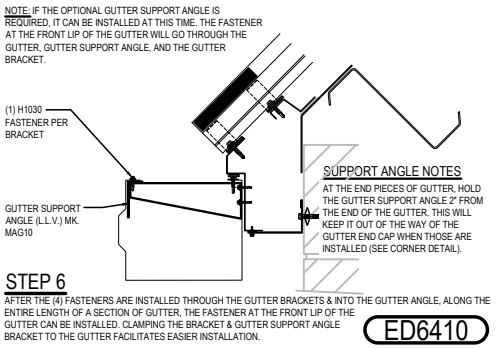
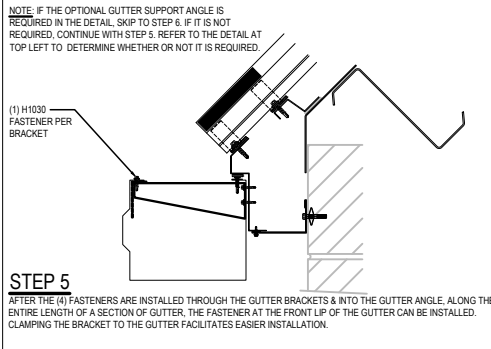
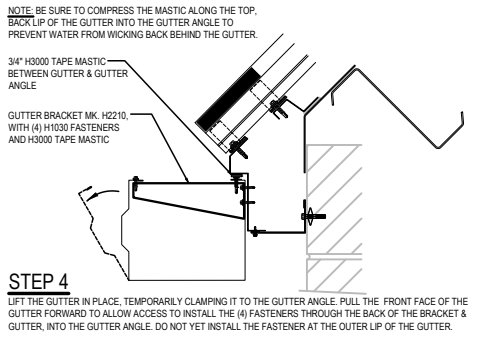
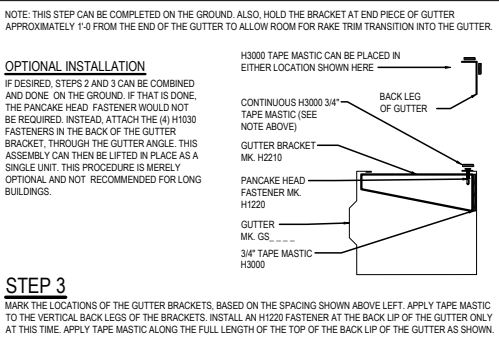
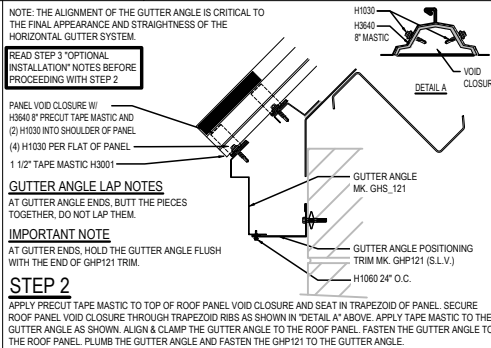
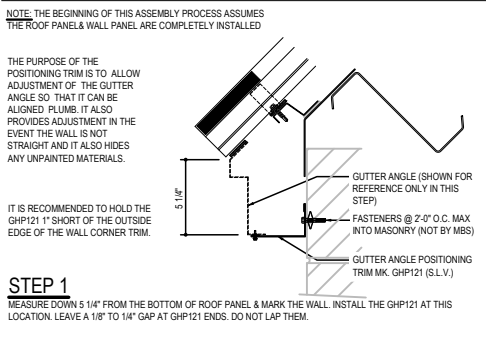
ED6410 - HORIZONTAL GUTTER w/ MASONRY WALL

Download the DWG file by clicking [here](#).



HORIZONTAL GUTTER - TRAPEZOIDAL ROOF

ISOMETRIC VIEW OF HORIZONTAL GUTTER SYSTEM



ED6410

Detailer Notes:

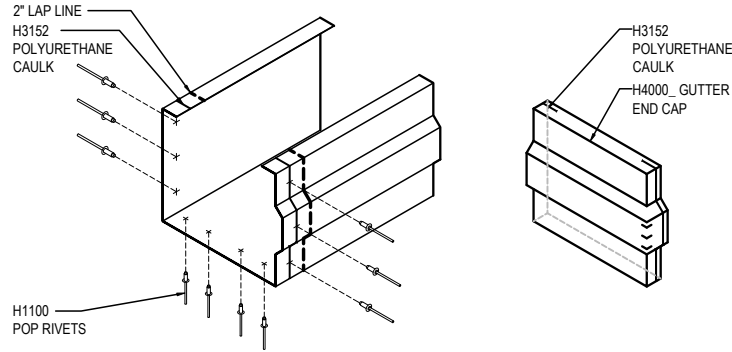
1) CLOSURES LOW EAVE LAYER DEFAULT IS ON. LAYER MUST BE TURNED OFF IF CLOSURES ARE NOT REQUIRED.

ED6610 - ON-SLOPE GUTTER w/ INSULATED WALL PANEL

[Download the DWG file by clicking here.](#)

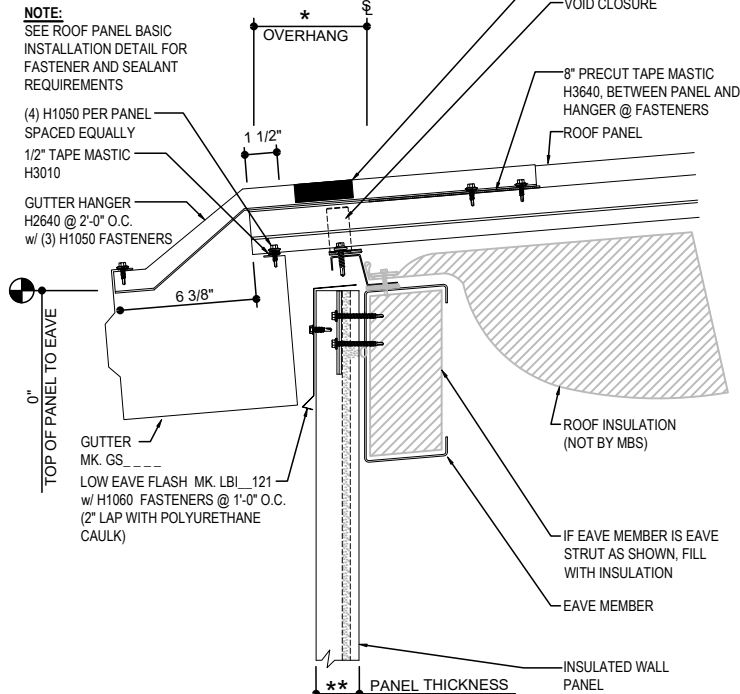
GUTTER LAP & END CAP

APPLY BEAD OF POLYURETHANE CAULK 1" FROM END OF TRIM AND LAP SECTIONS 2" AND FASTEN AS SHOWN. TO TERMINATE THE GUTTER APPLY POLYURETHANE CAULK TO THREE SIDES OF END CAP AND TOP RETURN AREA AS SHOWN AND INSERT 1/2" INTO THE GUTTER. ATTACH WITH RIVETS SAME AS END LAP.



NOTE 1: PANEL RIB MUST BE HAND CRIMPED PRIOR TO INSTALLING GUTTER BRACKET!

OVERHANG DIMENSION		
** THICKNESS	* OVERHANG	LBI_121
2"	6"	LBI/20121
2 1/2"	6 1/2"	LBI/25121
3"	7"	LBI/30121
4"	8"	LBI/40121
5"	9"	LBI/50121
6"	10"	LBI/60121



ON-SLOPE GUTTER DETAIL

EAVE GUTTER DETAIL w/ INSULATED WALL PANELS
SEE INSULATED WALL SHEETING ERECTION DETAILS FOR INSTALLATION INSTRUCTIONS.

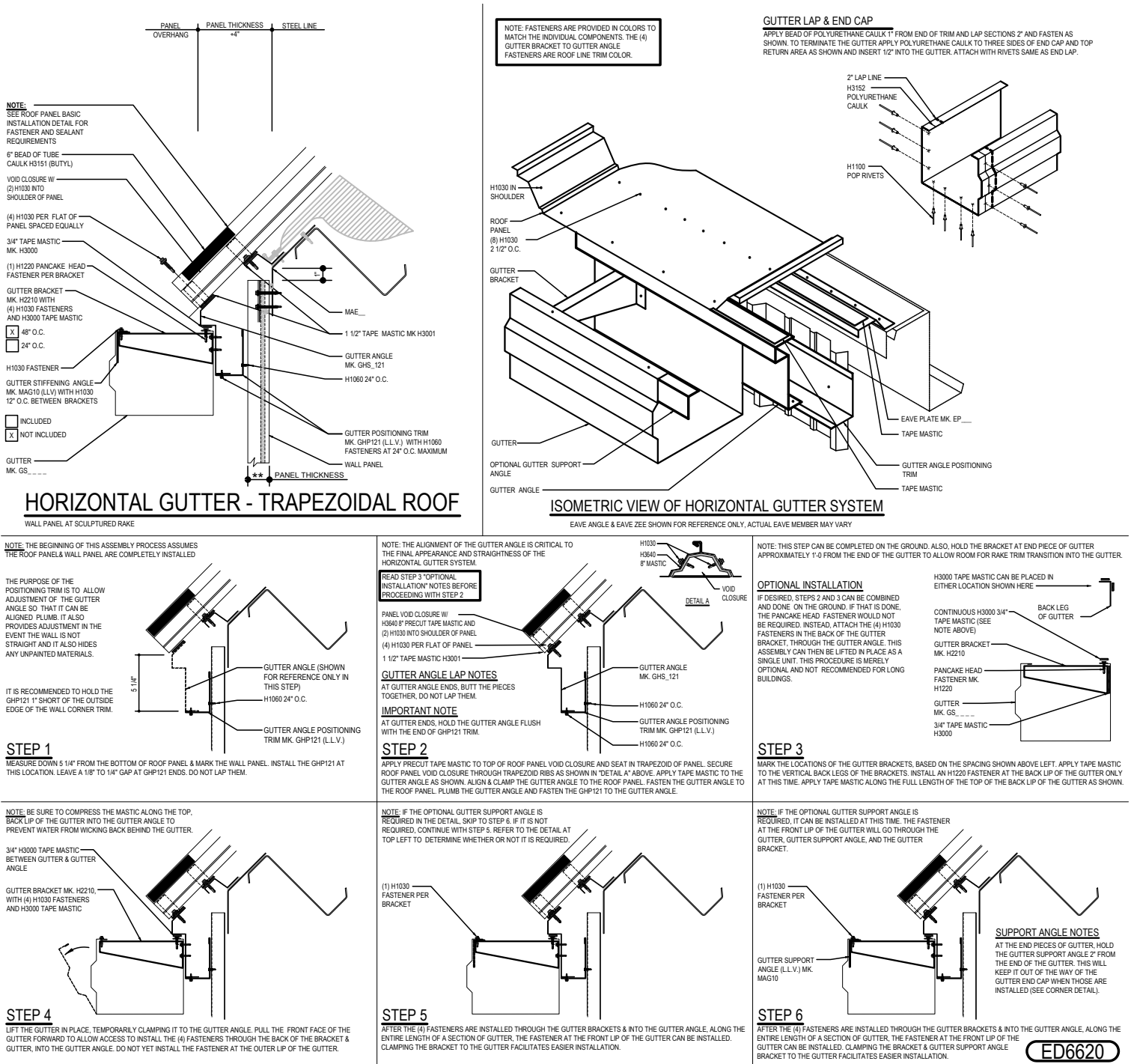
ED6610

Detailer Notes:

- 1) N/A

ED6620 - HORIZONTAL GUTTER w/ INSULATED WALL PANEL

Download the DWG file by clicking here.



Detailer Notes:

1) N/A